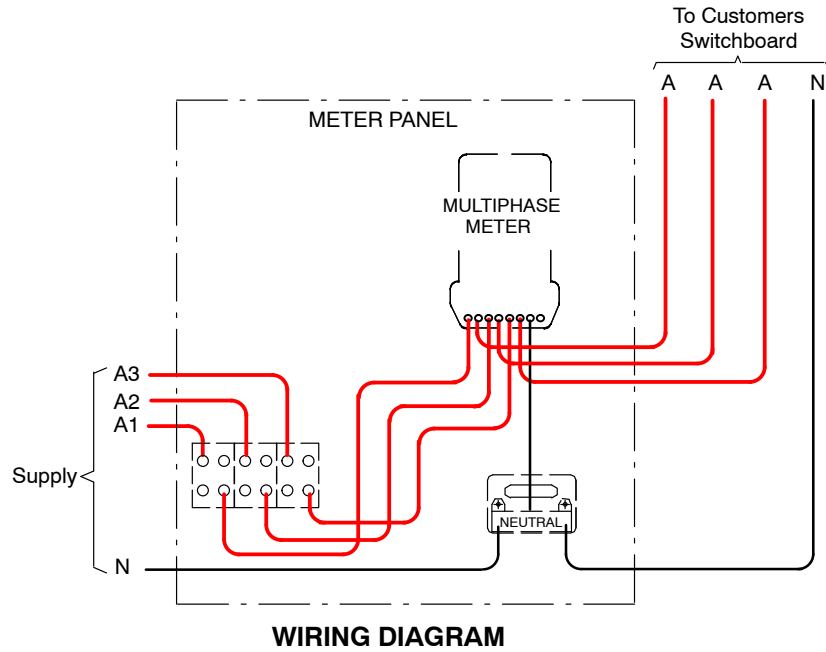




## United Energy Standard Metering

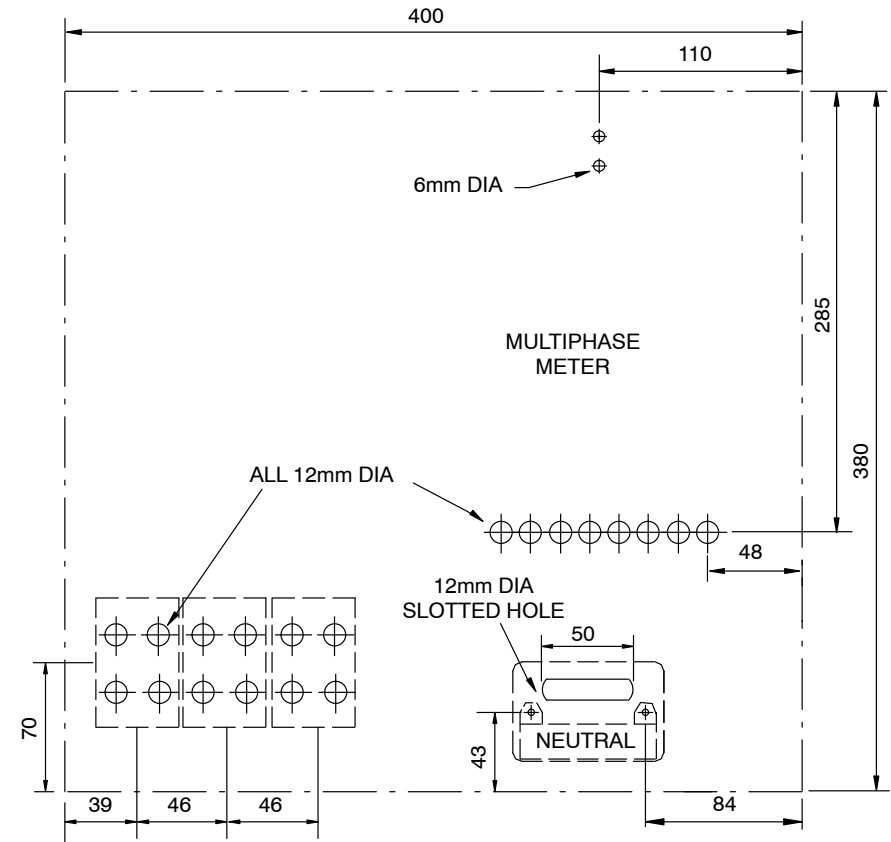


**WIRING DIAGRAM**

### Notes

- Meter panel fuse not required for an overhead supply.
- All metering neutrals to be 4mm<sup>2</sup> minimum stranded conductors.
- Meter is basic unless a special request from the retailer specifies interval metering.
- Where a constant 3 Phase load in excess of 80A per phase is expected, the meter panel fuses should be spaced not less than 20mm apart.
- In some cases, to accommodate this spacing, a larger meter panel may be necessary.
- No controlled load
- Metering diagram is applicable for 2 or 3 phase load.
- For 2 phase loads – Red and Blue phase is preferred.
- Meter Panel Wiring:
  - Load carrying conductors not less than 4mm<sup>2</sup> or greater than 35mm<sup>2</sup>
  - 4mm<sup>2</sup> for meter neutral conductors
  - Not less than 18 strands for 25 & 35mm<sup>2</sup> conductors
  - Wiring Diagram for three phase electronic meter will vary depending on which brand of meter is used.
  - Refer to SIR's for metering obligations.

**UE General 02**

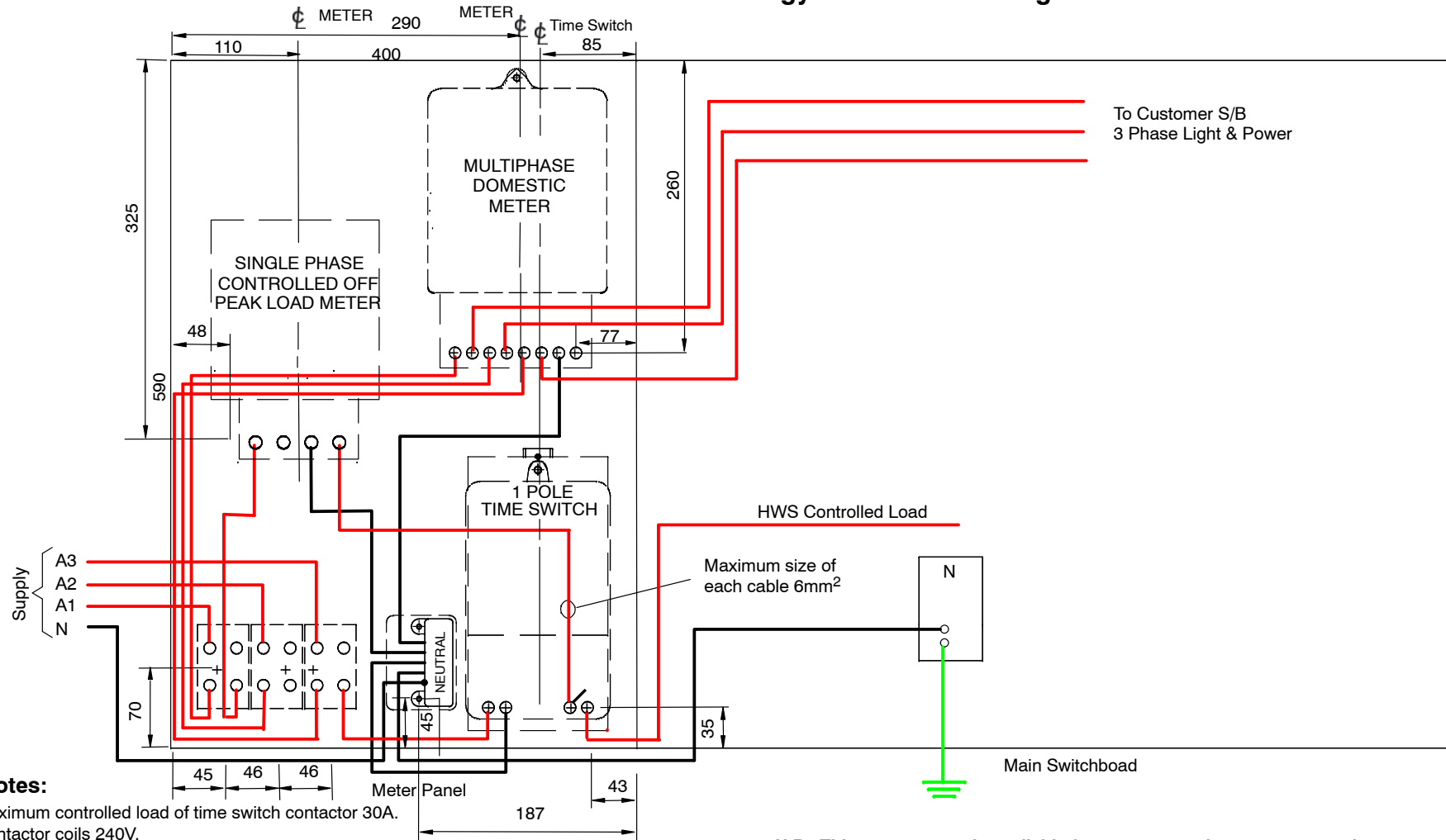


NOTE: ALL HOLES 3mm DIA UNLESS OTHERWISE SHOWN

**METER PANEL LAYOUT**

**Typical Metering Details – One Customer  
Multiphase Electronic Meter  
Panel Size 400mm W x 380mm H**

## United Energy Standard Metering



**Notes:**

Maximum controlled load of time switch contactor 30A.  
 Contactor coils 240V.  
 For clarity control thermostats not shown.  
 Meter panel fuses are not required for an overhead supply.

**Meter Panel Wiring:**

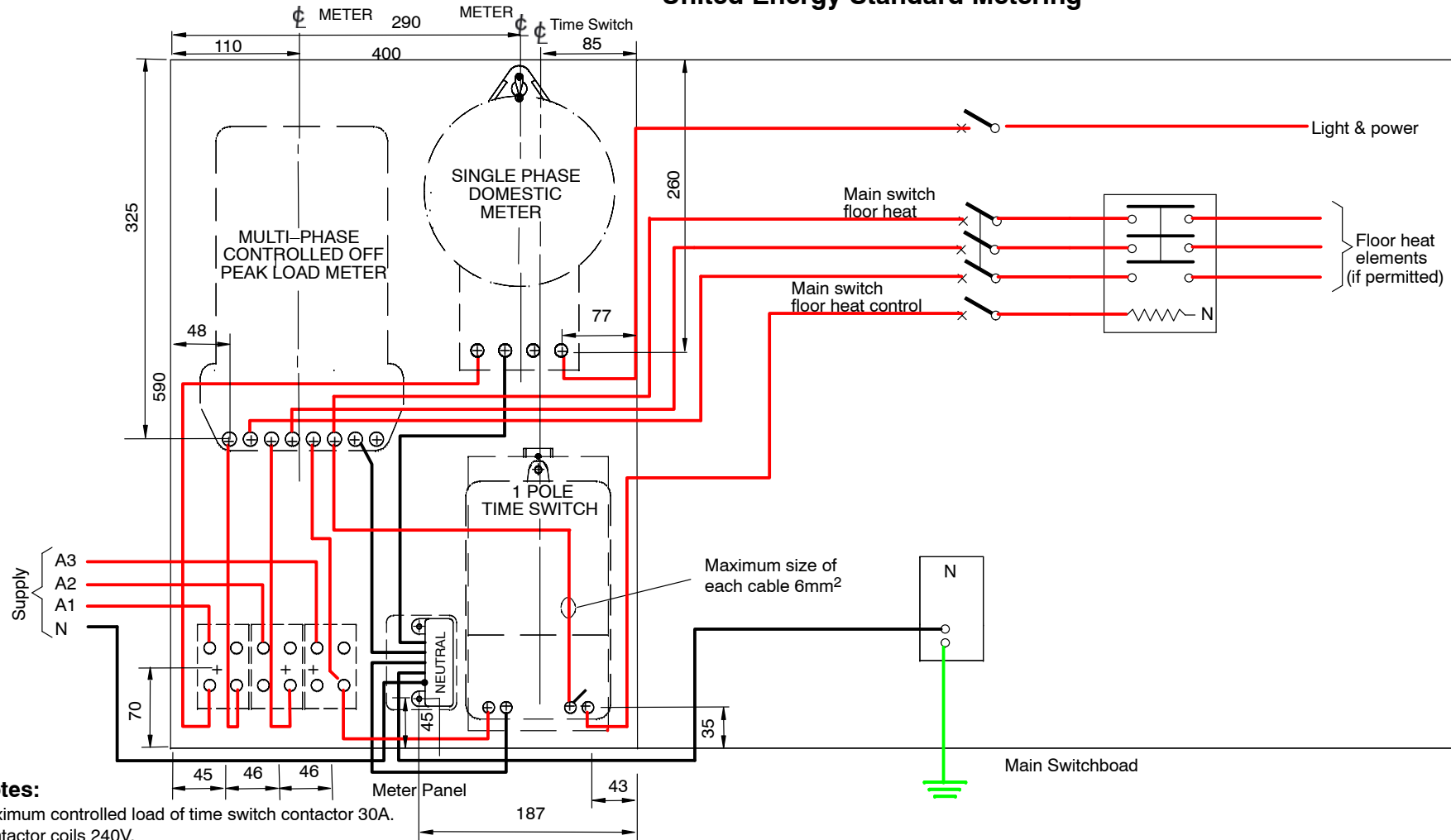
- Load carrying conductors not less than 4mm<sup>2</sup> or greater than 35mm<sup>2</sup>
- 2.5mm<sup>2</sup> stranded cables for meter register change over switch wires
- 4mm<sup>2</sup> for meter neutral conductors
- Not less than 18 strands for 25 & 35mm<sup>2</sup> conductors
- Refer to SIR's for metering obligations

Off Peak controlled load only includes hot water and space heating. **UE General 03**

**N.B. This arrangement is available for new connection customers only.**

**Typical Metering Details – One Customer  
 Single Phase Off Peak Controlled Hot Water  
 Service & Multiphase General Supply  
 Panel Size 400mm W X 590mm H**

## United Energy Standard Metering



### Notes:

Maximum controlled load of time switch contactor 30A.

Contactors coils 240V.

For clarity control thermostats not shown.

Meter panel fuses are not required for an overhead supply.

Meter Panel Wiring:

- Load carrying conductors not less than 4mm<sup>2</sup> or greater than 35mm<sup>2</sup>
- 2.5mm<sup>2</sup> stranded cables for meter register change over switch wires
- 4mm<sup>2</sup> for meter neutral conductors
- Not less than 18 strands for 25 & 35mm<sup>2</sup> conductors
- Refer to SIR's for metering obligations

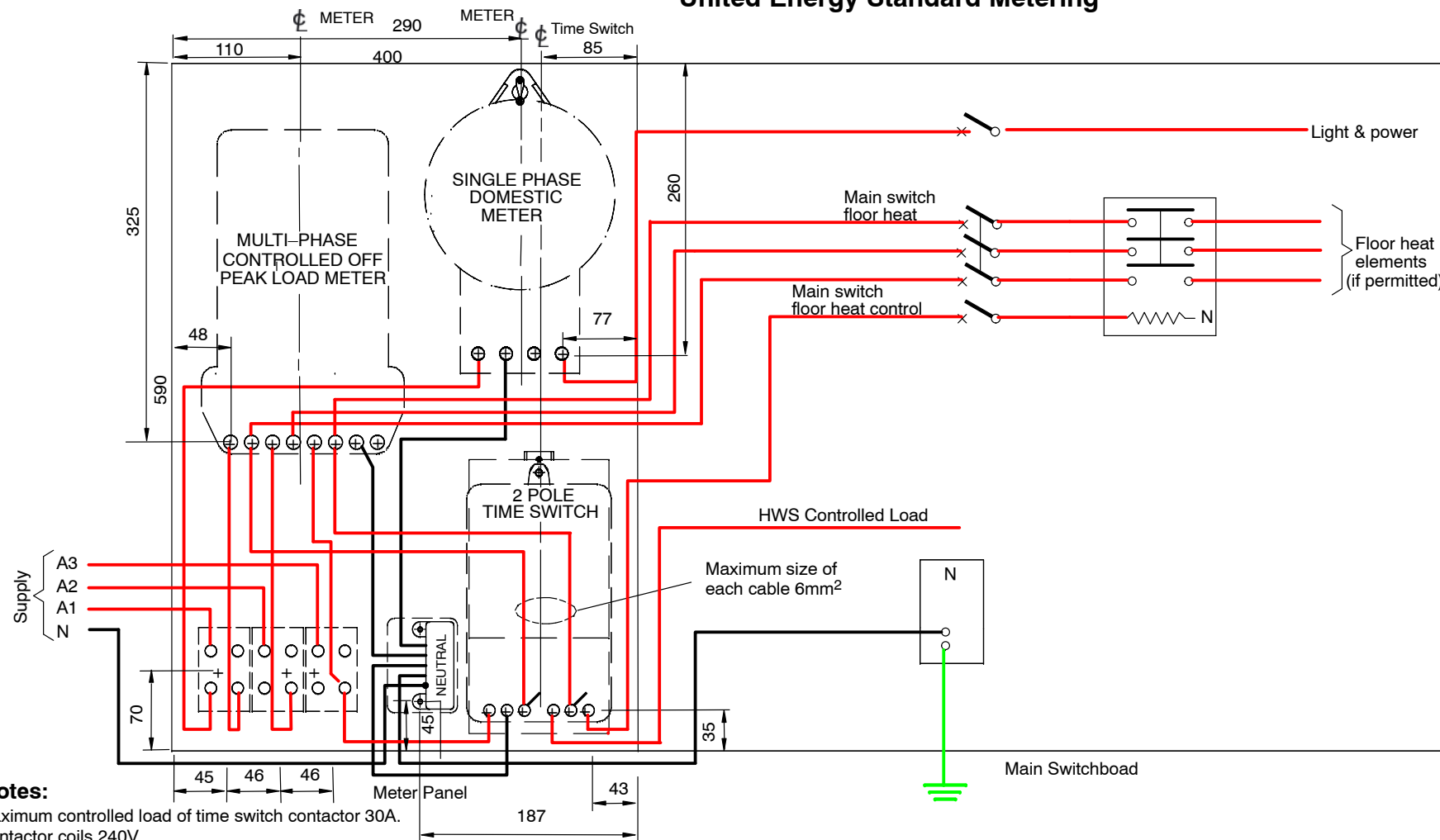
Off Peak controlled load only includes hot water and space heating.

N.B. This arrangement is available for new connection customers only.

**Typical Metering Details – One Customer**  
**Multiphase Off Peak Controlled Floor Heating**  
**& Single Phase General Supply**  
**Panel Size 400mm W x 590mm H**

UE General 04

## United Energy Standard Metering



### Notes:

Maximum controlled load of time switch contactor 30A.

Contactor coils 240V.

For clarity control thermostats not shown.

Meter panel fuses are not required for an overhead supply.

Meter Panel Wiring:

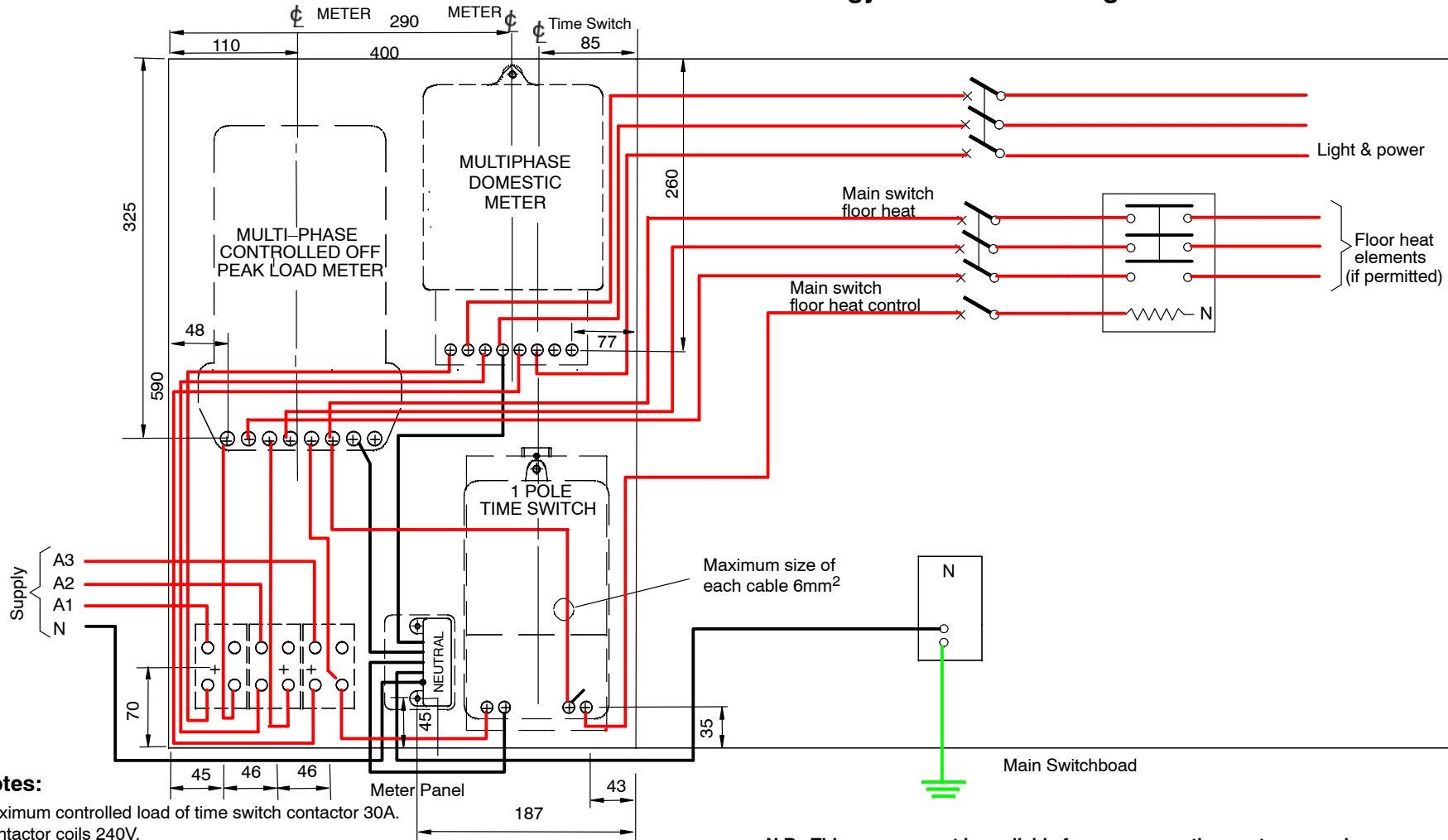
- Load carrying conductors not less than 4mm<sup>2</sup> or greater than 35mm<sup>2</sup>
- 2.5mm<sup>2</sup> stranded cables for meter register change over switch wires
- 4mm<sup>2</sup> for meter neutral conductors
- Not less than 18 strands for 25 & 35mm<sup>2</sup> conductors
- Refer to SIR's for metering obligations

Off Peak controlled load only includes hot water and space heating. **UE General 05**

**N.B. This arrangement is available for new connection customers only.**

**Typical Metering Details – One Customer  
Multiphase Off Peak Controlled Floor Heating  
& Hot Water Service & Single Phase General Supply  
Panel Size 400mm W x 590mm H**

## United Energy Standard Metering



### Notes:

Maximum controlled load of time switch contactor 30A.

Contactor coils 240V.

For clarity control thermostats not shown.

Meter panel fuses are not required for an overhead supply.

Meter Panel Wiring:

- Load carrying conductors not less than 4mm<sup>2</sup> or greater than 35mm<sup>2</sup>
- 2.5mm<sup>2</sup> stranded cables for meter register change over switch wires
- 4mm<sup>2</sup> for meter neutral conductors
- Not less than 18 strands for 25 & 35mm<sup>2</sup> conductors
- Refer to SIR's for metering obligations

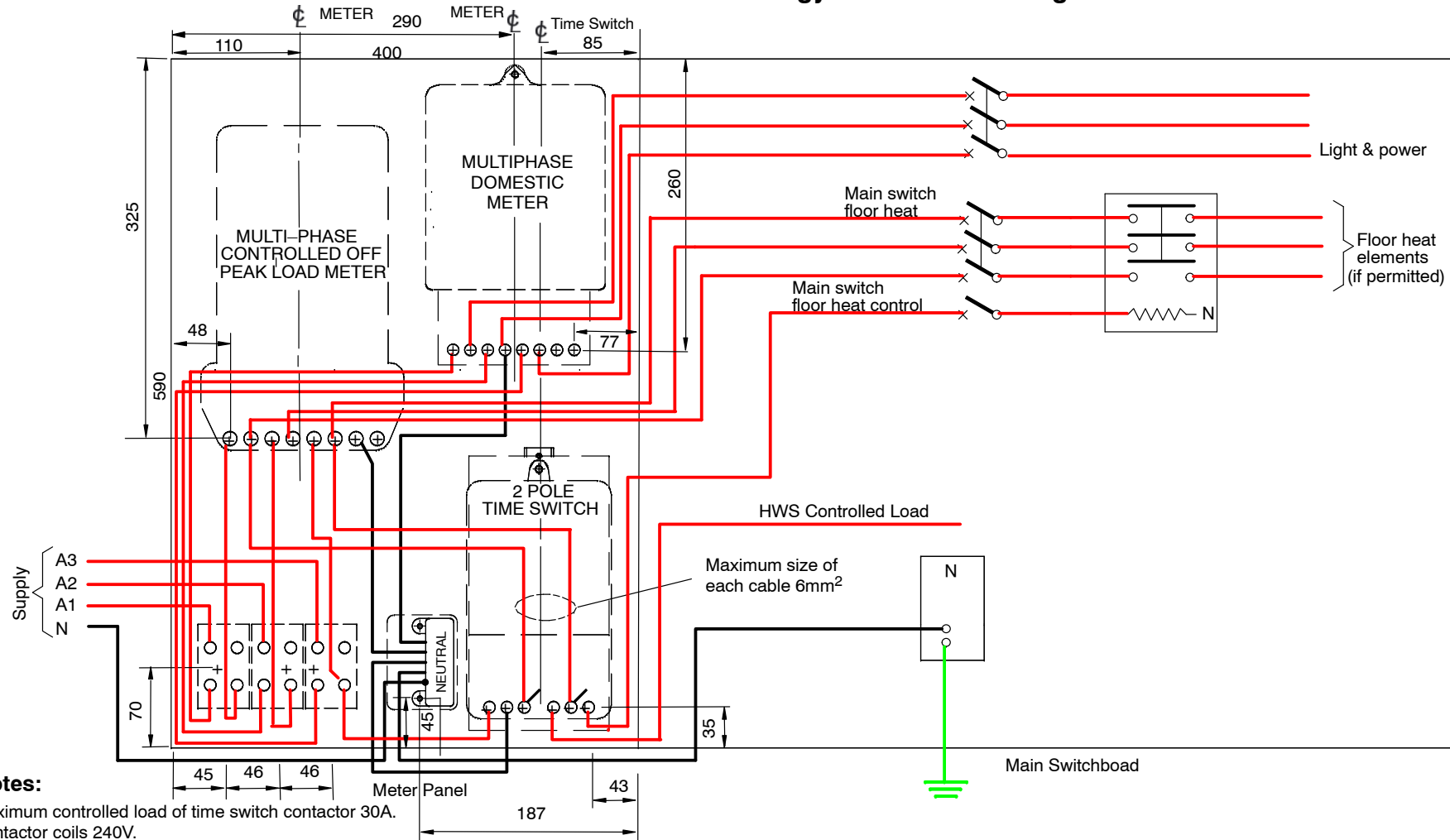
Off Peak controlled load only includes hot water and space heating.

N.B. This arrangement is available for new connection customers only.

**Typical Metering Details – One Customer**  
**Multiphase Off Peak Controlled Floor Heating**  
**& Multi Phase General Supply**  
**Panel Size 400mm W x 590mm H**

**UE General 06**

## United Energy Standard Metering



### Notes:

- Maximum controlled load of time switch contactor 30A.
- Contactor coils 240V.
- For clarity control thermostats not shown.
- Meter panel fuses are not required for an overhead supply.
- Meter Panel Wiring:

- Load carrying conductors not less than 4mm<sup>2</sup> or greater than 35mm<sup>2</sup>
- 2.5mm<sup>2</sup> stranded cables for meter register change over switch wires
- 4mm<sup>2</sup> for meter neutral conductors
- Not less than 18 strands for 25 & 35mm<sup>2</sup> conductors
- Refer to SIR's for metering obligations

Off Peak controlled load only includes hot water and space heating.

**UE General 07**

**N.B. This arrangement is available for new connection customers only.**

**Typical Metering Details – One Customer  
Multiphase Off Peak Controlled Floor Heating  
& Hot Water Service & Multiphase General Supply  
Panel Size 400mm W x 590mm H**