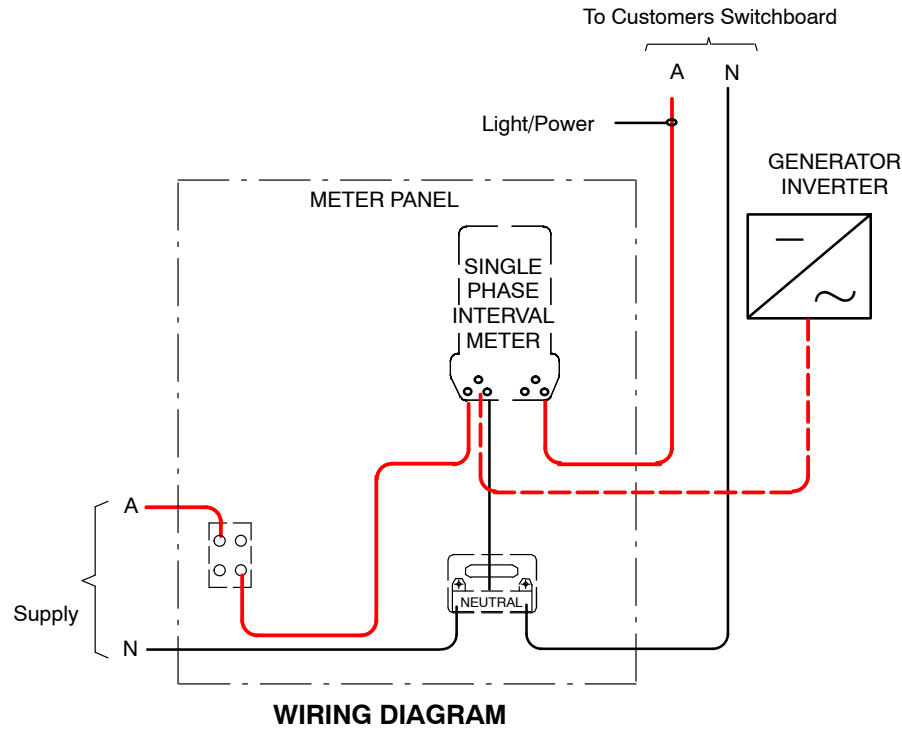


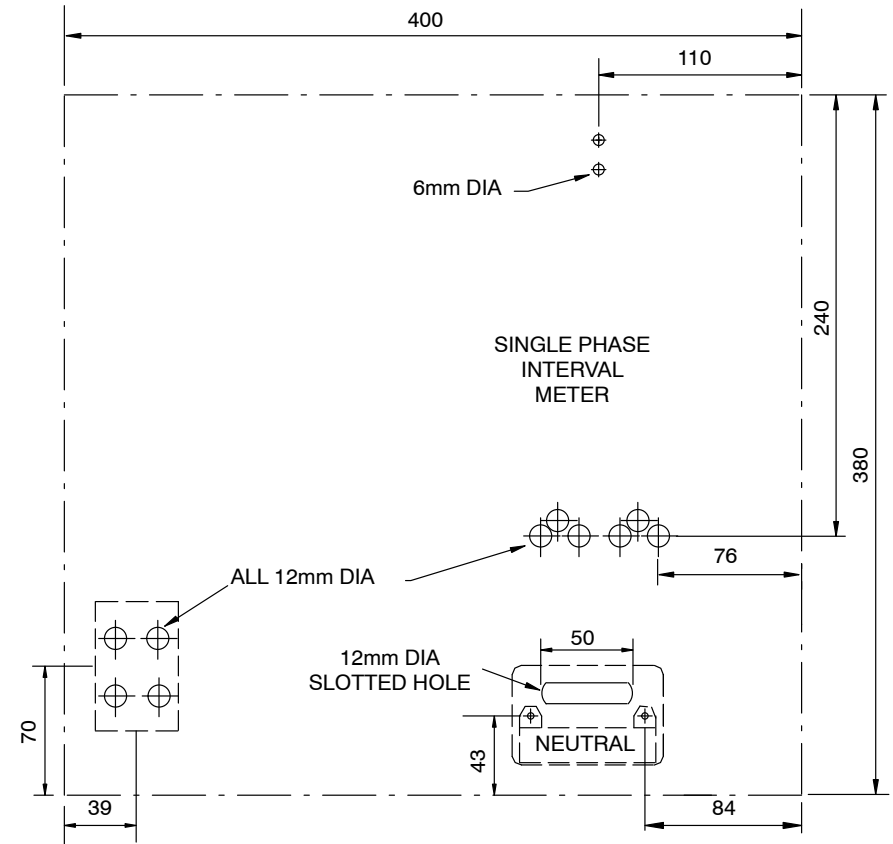
UNITED ENERGY SINGLE PHASE INTERVAL METER – GROSS METERING: SINGLE PHASE LOAD & GENERATION



WIRING DIAGRAM

Notes

1. Meter Panel fuses not required for an overhead supply.
2. All metering neutrals to be 4mm² minimum stranded conductors.
3. Refer to SIR's for metering obligations.
4. The installation shall be in accordance with AS4777.
5. Cable from Generator Inverter to be 4mm² stranded conductors.
6. Must be suitably labelled.
7. No load control available.

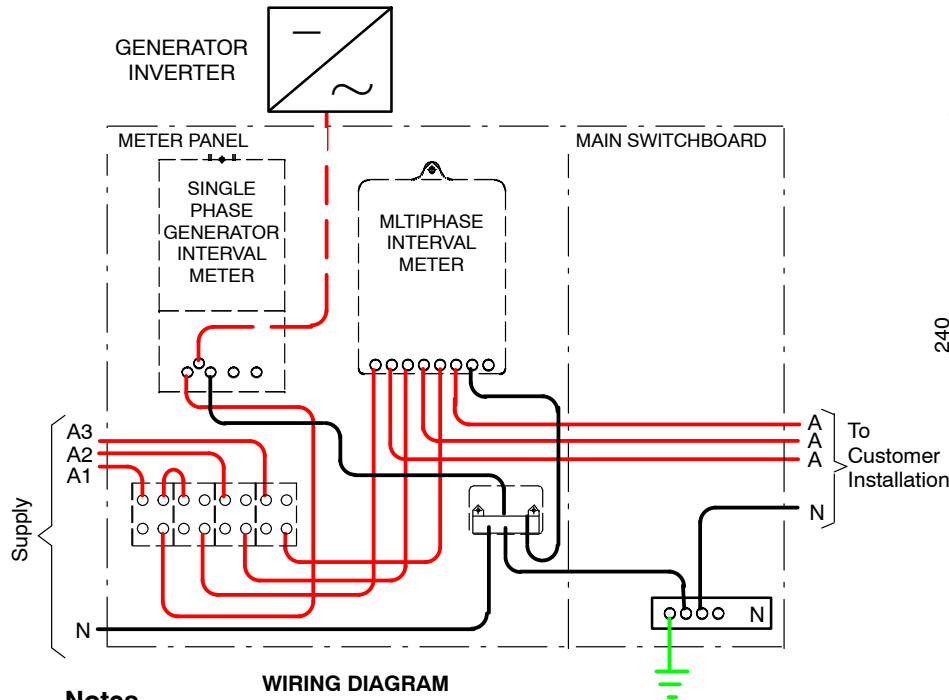


NOTE: ALL HOLES 3mm DIA UNLESS OTHERWISE SHOWN

METER PANEL LAYOUT

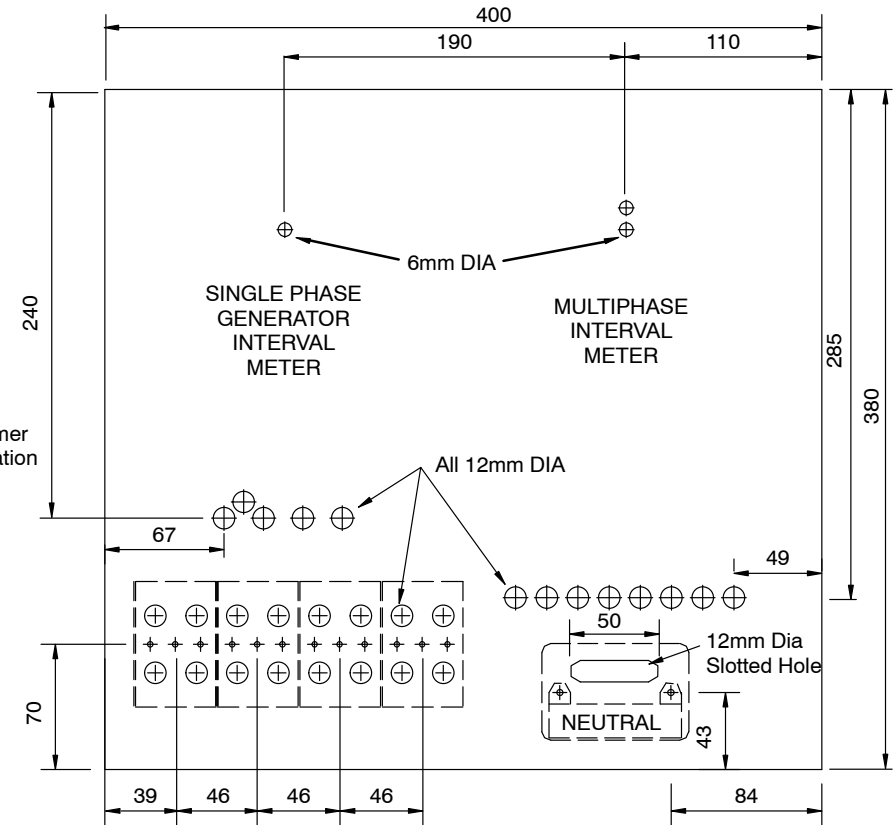
**GROSS METERING DETAILS FOR ONE CUSTOMER
SINGLE PHASE LOAD WITH SINGLE PHASE GRID
CONNECTED GENERATION
PANEL SIZE 400mmW x 380mmH**

UNITED ENERGY: GROSS METERING SINGLE PHASE GENERATION & MULTIPHASE LOAD



Notes

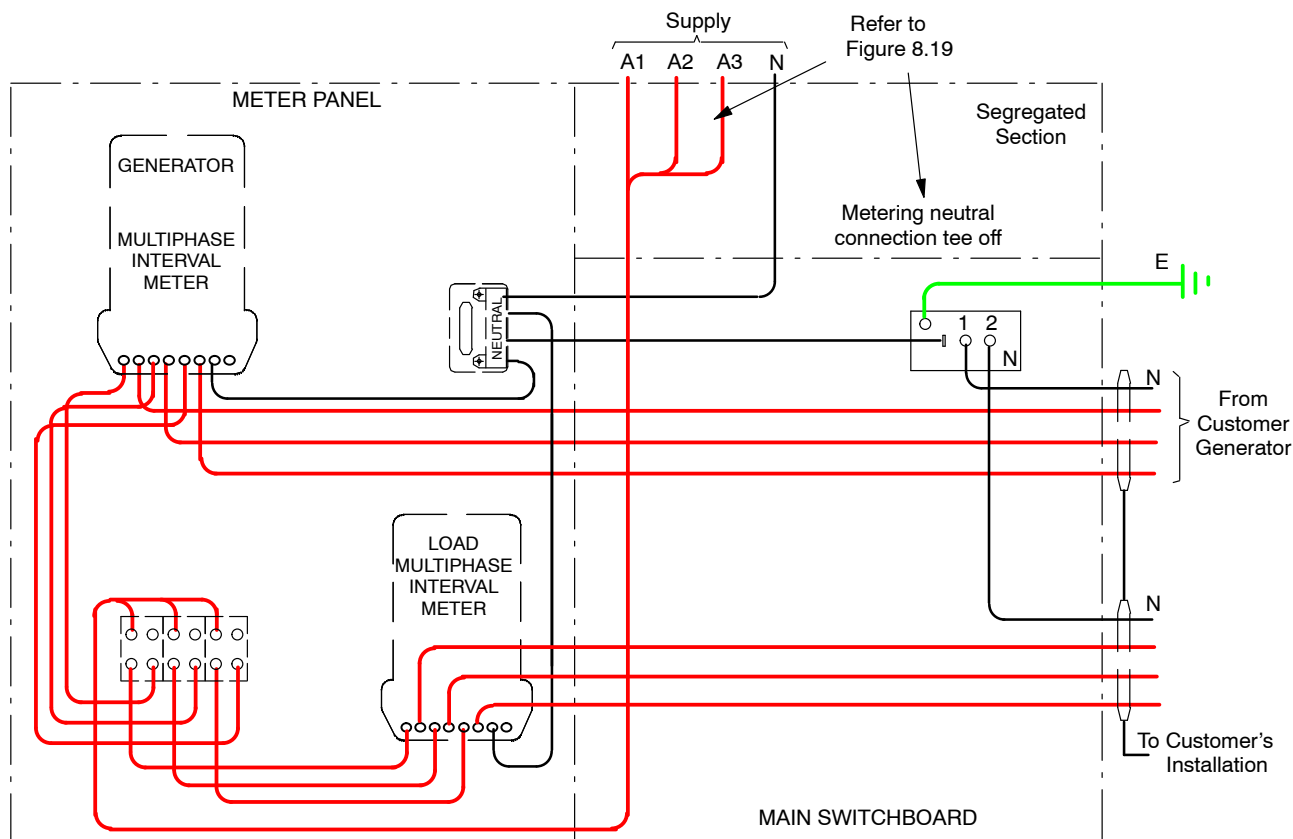
1. Meter panel fuses are required for each customer in overhead or underground supply areas.
2. All metering neutrals to be 4mm² minimum stranded conductors.
3. Refer to SIR's for metering obligations.
4. The installation shall be in accordance with AS4777.
5. Where a constant 3 Phase load in excess of 80A per phase is expected, the meter panel fuses should be spaced not less than 20mm apart. In some cases, to accommodate this spacing, a larger meter panel may be necessary.
6. Cable from Generator Inverter to be 4mm² stranded conductors.
7. No load control available.
8. Must be suitably labelled.



NOTE: ALL HOLES 3mm DIA UNLESS OTHERWISE SHOWN

**GROSS METERING DETAILS FOR ONE CUSTOMER
MULTIPHASE INTERVAL METER FOR CUSTOMER LOAD
AND SINGLE PHASE INTERVAL METER FOR SINGLE
PHASE GRID CONNECTED GENERATION
PANEL SIZE 400mmW x 380mmH**

UNITED ENERGY MULTIPHASE INTERVAL METER – GROSS METERING: MULTIPHASE LOAD AND GENERATION

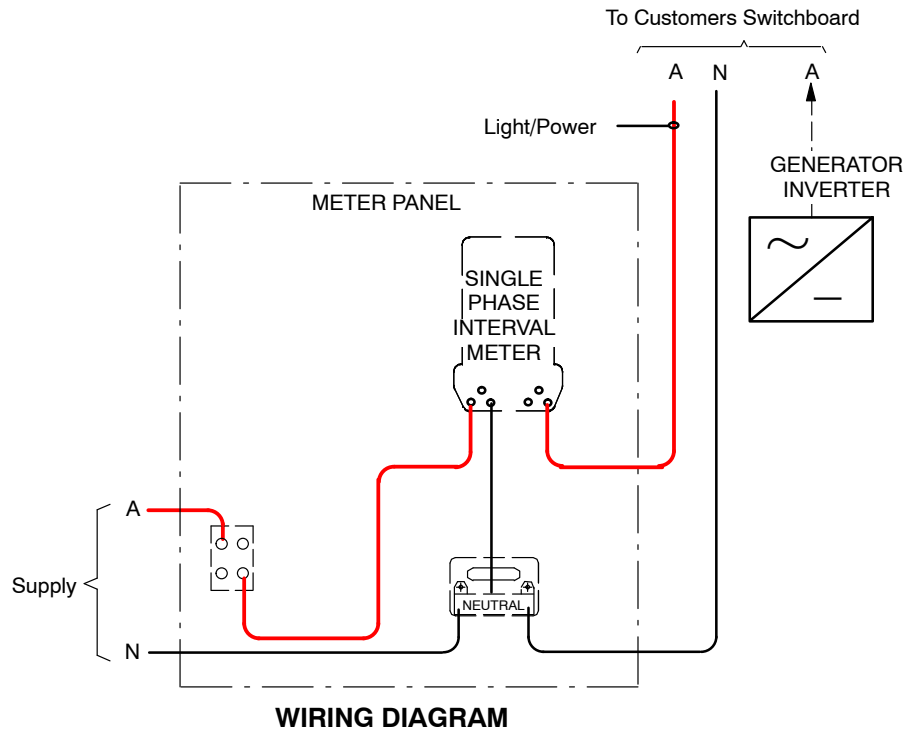


Notes

1. All metering neutrals to be 4mm² minimum stranded conductors.
2. The installation shall be in accordance with AS4777.
3. Refer to SIR's for metering obligations.
4. Must be suitably labelled.
5. Where a constant 3 Phase load in excess of 80A per phase is expected, the meter panel fuses should be spaced not less than 20mm apart.
In some cases, to accommodate this spacing, a larger meter panel may be necessary.
6. No load control available.

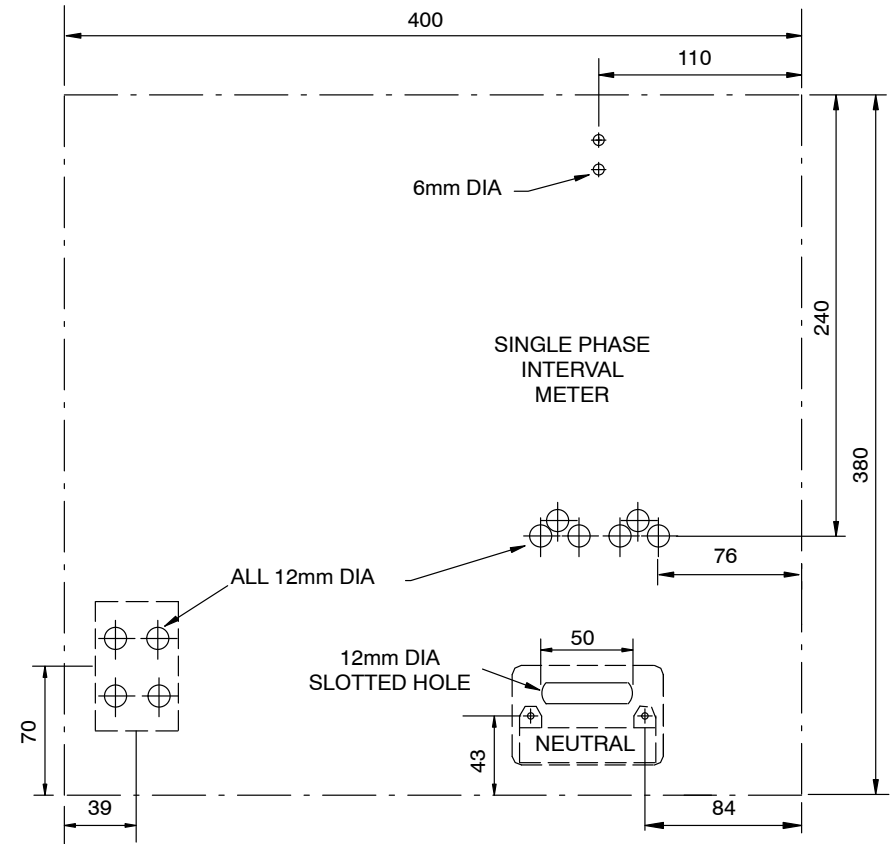
**GROSS METERING WIRING DIAGRAM FOR ONE
CUSTOMER MULTIPHASE INTERVAL METER
FOR CUSTOMER LOAD AND MULTIPHASE
INTERVAL METER FOR MULTIPHASE GRID
CONNECTED GENERATION
PANEL SIZE 400mmW x 590mmH**

UNITED ENERGY SINGLE PHASE INTERVAL METER – NET METERING: SINGLE PHASE LOAD AND GENERATION



Notes

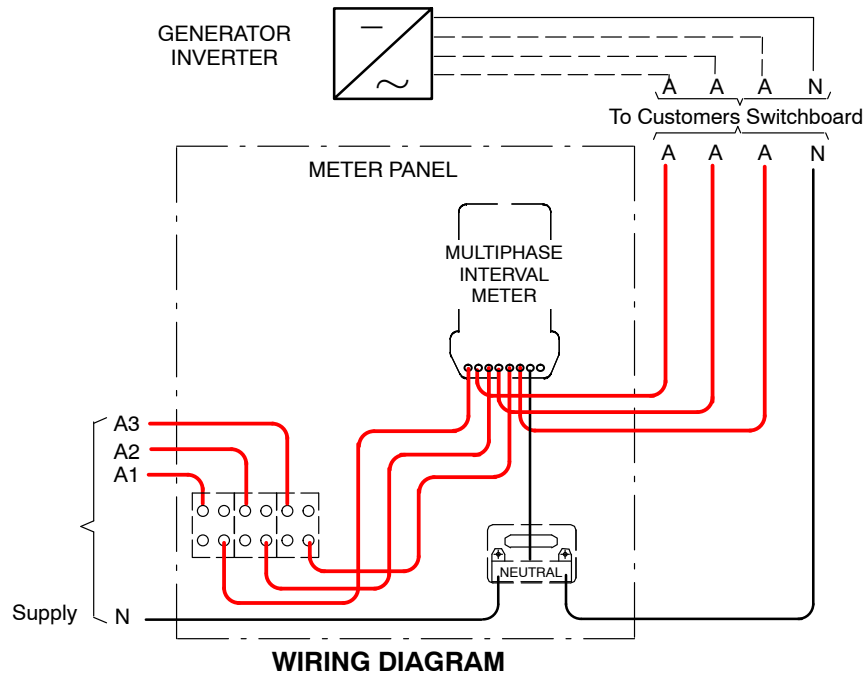
1. All metering neutrals to be 4mm² minimum stranded conductors.
2. The installation shall be in accordance with AS4777.
3. Refer to SIR's for metering obligations.
4. Must be suitably labelled.
5. No load control available.



NOTE: ALL HOLES 3mm DIA UNLESS OTHERWISE SHOWN

METER PANEL LAYOUT

**NET METERING DETAILS FOR ONE CUSTOMER
SINGLE PHASE LOAD WITH SINGLE PHASE GRID
CONNECTED GENERATION
PANEL SIZE 400mmW x 380mmH**

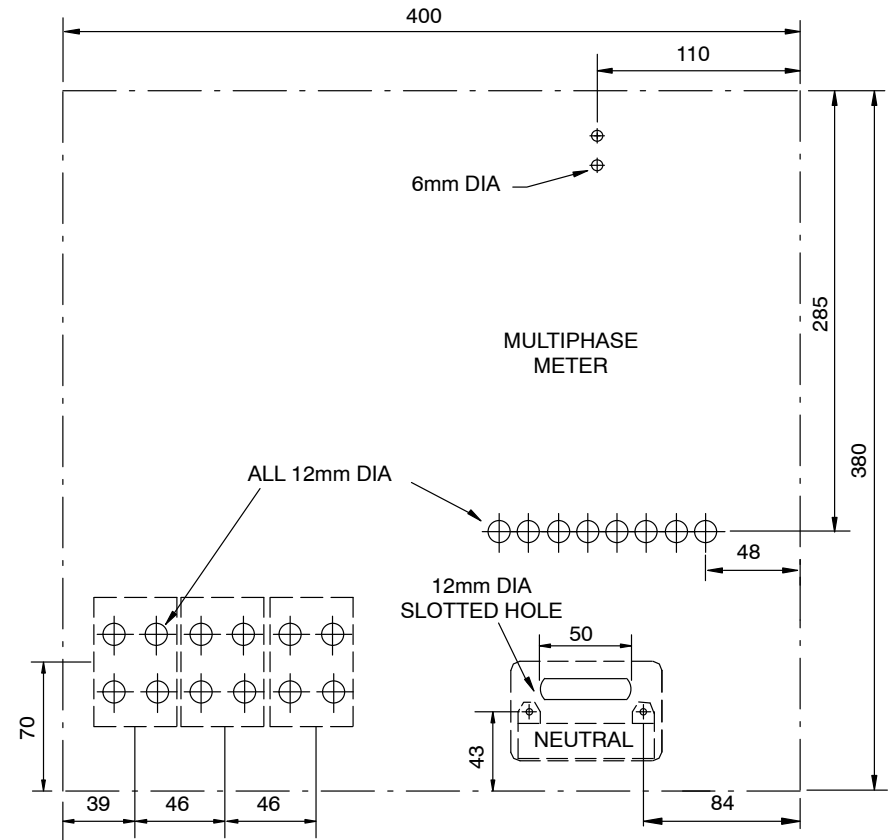


Notes

1. All metering neutrals to be 4mm² minimum stranded conductors.
2. The installation shall be in accordance with AS4777.
3. Refer to SIR's for metering obligations.
4. Must be suitably labelled.
5. Where a constant 3 Phase load in excess of 80A per phase is expected, the meter panel fuses should be spaced not less than 20mm apart.
In some cases, to accommodate this spacing, a larger meter panel may be necessary.
6. No load control available.

Ue Co Gen 05

**UNITED ENERGY MULTIPHASE INTERVAL METER
- NET METERING: MULTIPHASE LOAD AND GENERATION**



NOTE: ALL HOLES 3mm DIA UNLESS OTHERWISE SHOWN

**NET METERING DETAILS FOR ONE CUSTOMER
MULTIPHASE INTERVAL METER FOR MULTIPHASE
CUSTOMER LOAD AND MULTIPHASE GRID
CONNECTED GENERATION
PANEL SIZE 400mmW x 380mmH**